

9400 (HF9400)

HIGH POWER RELAY



Features

- 25A switching capability
- 2KV dielectric strength
(between coil and contacts)
- Panel mount, various terminal types
- Environmental protection product available
(RoHs & WEEE compliant)

CONTACT DATA

Contact Arrangement	1A, 1B, 1C, 1X(1A + 1B)
Initial Contact Resistance	200mΩ (at 1A 20VDC)
Contact Material	AgCe
Contact Rating (Res. Load)	25A 120/240VAC FLR: 14A 125VAC; LRA: 84A 125VAC FLR: 8A 250VAC; LRA: 48A 250VAC
Max. switching voltage	250VAC
Max. switching current	25A
Max. switching power	6925VA
Mechanical life	1 x 10 ⁶ ops
Electrical life	1 x 10 ⁵ ops

CHARACTERISTICS

Initial Insulation Resistance	500MΩ 500VDC
Dielectric Strength	Between coil and Contacts 2000VAC 1min.
	Between open contacts 1000VAC 1min.
Operate time (at nomi. Volt.)	Max. 25ms (for DC type)
Release time (at nomi. Volt.)	Max. 25ms (for DC type)
Temperature rise (at nomi. Volt.)	Max. 60°C
Shock Resistance (Functional)	100 m/s ²
Vibration Resistance	DA: 1.0mm, 10 to 55Hz
Ambient temperature	-20°C to +40°C
Humidity	98%, +40°C
Termination	QC, Screw & Solder
Unit weight	Approx. 85g
Construction	Dust cover

COIL

Coil power	DC:2.4W AC:4.0VA
------------	------------------

COIL DATA

Nominal Voltage VDC	Pick-up Voltage VDC	Drop-out Voltage VDC	Coil Resistance Ω
6	4.50	0.6	17.5 ± 10%
9	6.75	0.9	40 ± 10%
12	9.00	1.2	70 ± 10%
24	18.0	2.4	280 ± 10%
48	36.0	4.8	1120 ± 10%
120	90.0	12.0	7000 ± 10%

Nominal Voltage VAC	Pick-up Voltage VAC	Drop-out Voltage VAC	Coil Resistance Ω
6	5.1	1.2	4.8 ± 10%
12	10.2	2.4	19 ± 10%
24	20.4	4.8	77 ± 10%
48	40.8	9.6	280 ± 10%
120	102	24	2000 ± 10%
240	204	48	6000 ± 10%
277	204	48	7250 ± 10%

SAFETY APPROVAL RATINGS

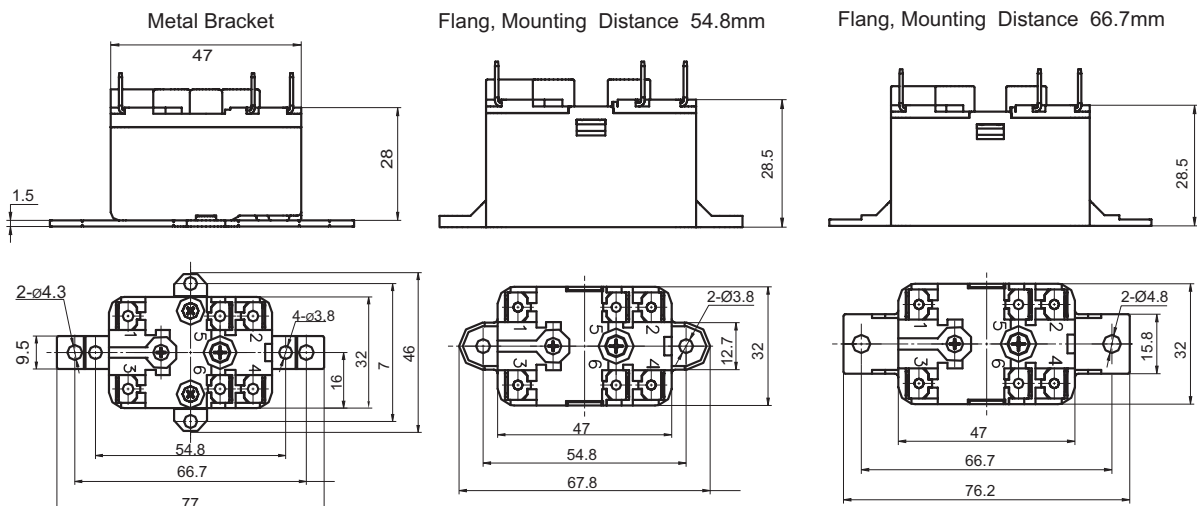
UL	Model	Coil Power
UL	9400-10	12FLA,60LRA. 8FLA,48LRA, 250VAC 7FLA,42LRA,277VAC 25A,277VAC
	9400-12	14FLA,84LRA, 125VAC 8FLA,48LRA, 250VAC 7FLA,42LRA,277VAC 25A,277VAC
	9400-13	12FLA,60LRA, 120VAC 8FLA,48LRA, 250VAC 7FLA,42LRA, 277VAC 18A,277VAC

ORDERING INFORMATION

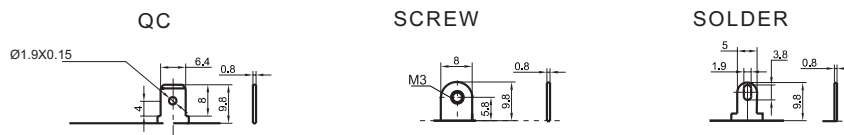
	9400 /	10	A	24	1	1	XXX
Type							
Contact arrangement	10: 1A (SPST-NO) 11: 1B (SPST-NC) 12: 1C (SPDT) 13: 1X (1A+1B)						
Coil input	A: AC D: DC						
Coil voltage	AC: 6 to 277VAC DC: 6 to 12 VDC						
Termination	1: Quick connect 2: Screw terminal 3: Solder terminal						
Mounting	Nil: Metal Bracket 1: Flang, Mounting Distance 54.8mm. diameter Ø3.8mm 2: Flang, Mounting Distance 66.7mm. diameter Ø4.8mm						
Special request code	(For example: 551: Lead-free 555: RoHs & WEEE compliant)						

OUTLINE DIMENSIONS, WIRING DIAGRAM AND PC BOARD LAYOUT

Outline Dimensions



Terminals type



Wiring Diagram

