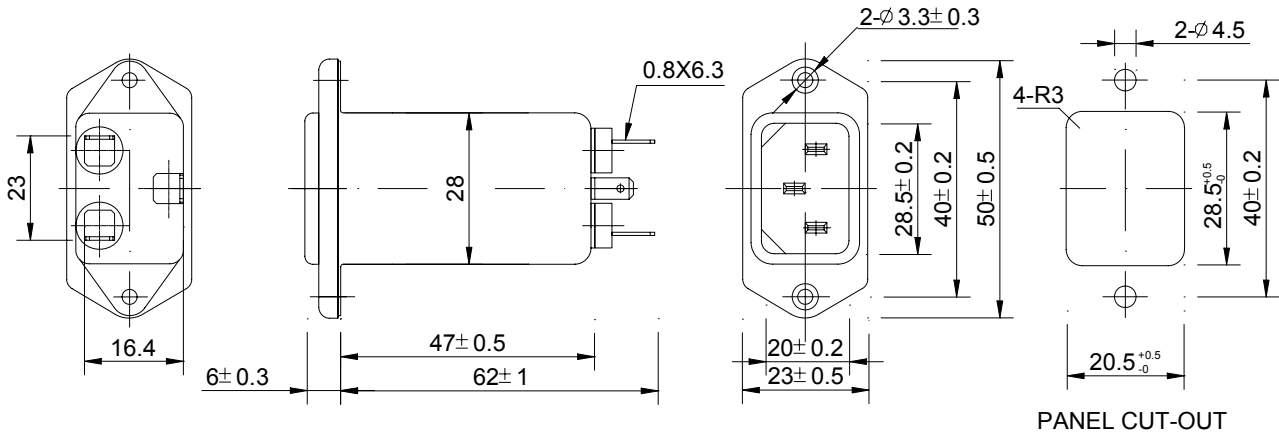


# FL1600-1 Specification Direction

## 1. Outline Drawing and Dimensions: (mm)

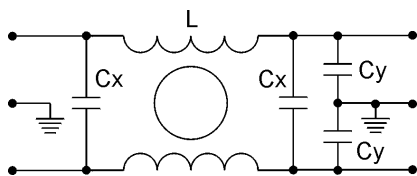


## 2. Specification:

Rated Voltage: 125/250VAC  
 Operating frequency: 50/60Hz  
 Rated Current: 2A  
 Temperature range : -25°C to +85°C  
 Leakage current (250V/50Hz) ≤ 0.3mA

Test Voltage: (1min )  
 line to ground: 1500V AC  
 line to line: 1500V DC  
 Insulation Resistance :  
 line to ground: ≥3000MΩ  
 Line to line: ≥3000MΩ

## 3. Circuit Diagram:



L	Cx	Cy
2×5.6mH	2×0.15uF	2×2200pF

## 4. Insertion Loss in dB: (Measured in 50Ω system, as IEC/CISPR NO.17)

