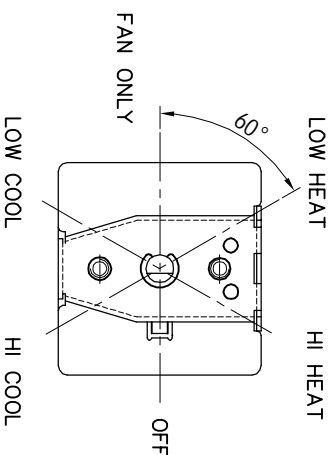
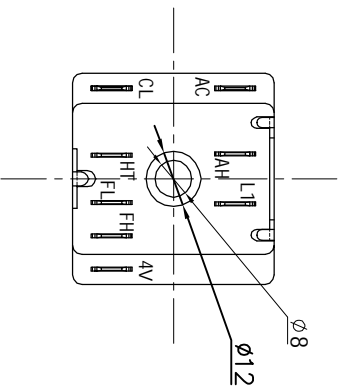
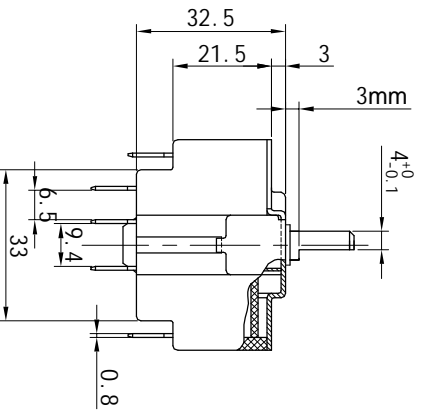


View "A"



Contacts Sequence Table,
X Shows ON

Pos.	Cont.	OFF	HI COOL	LO COOL	FAN	LO HEAT	HI HEAT
AC-CL			X	X			
AH-HT						X	X
L1-FH		X			X		
L1-FL				X		X	
L1-4V						X	X

Specifications

1. Rating: 250VAC, 25A
AC, CL, AH & HT: 25A
Others: 8A
2. Insulation Resistance: >100M Ω
3. Dielectric Strength: AC1500V/1min
4. Contact Resistance: <30m Ω
5. Temperature Rise of Contact: <45K
6. Torque Force: 2 ~ 3kgf.cm
7. UL & CUL Approval

P/N: RS6-CH